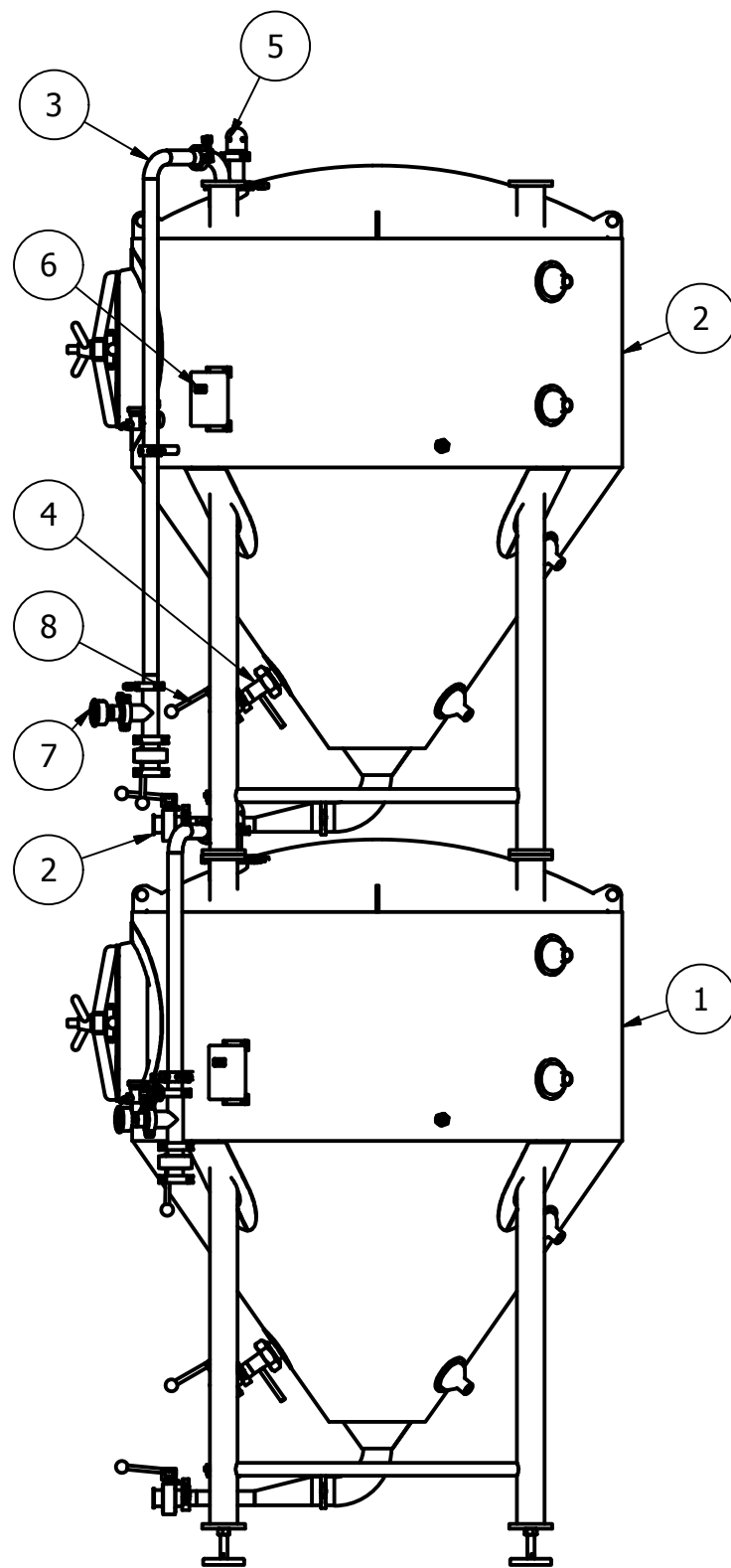
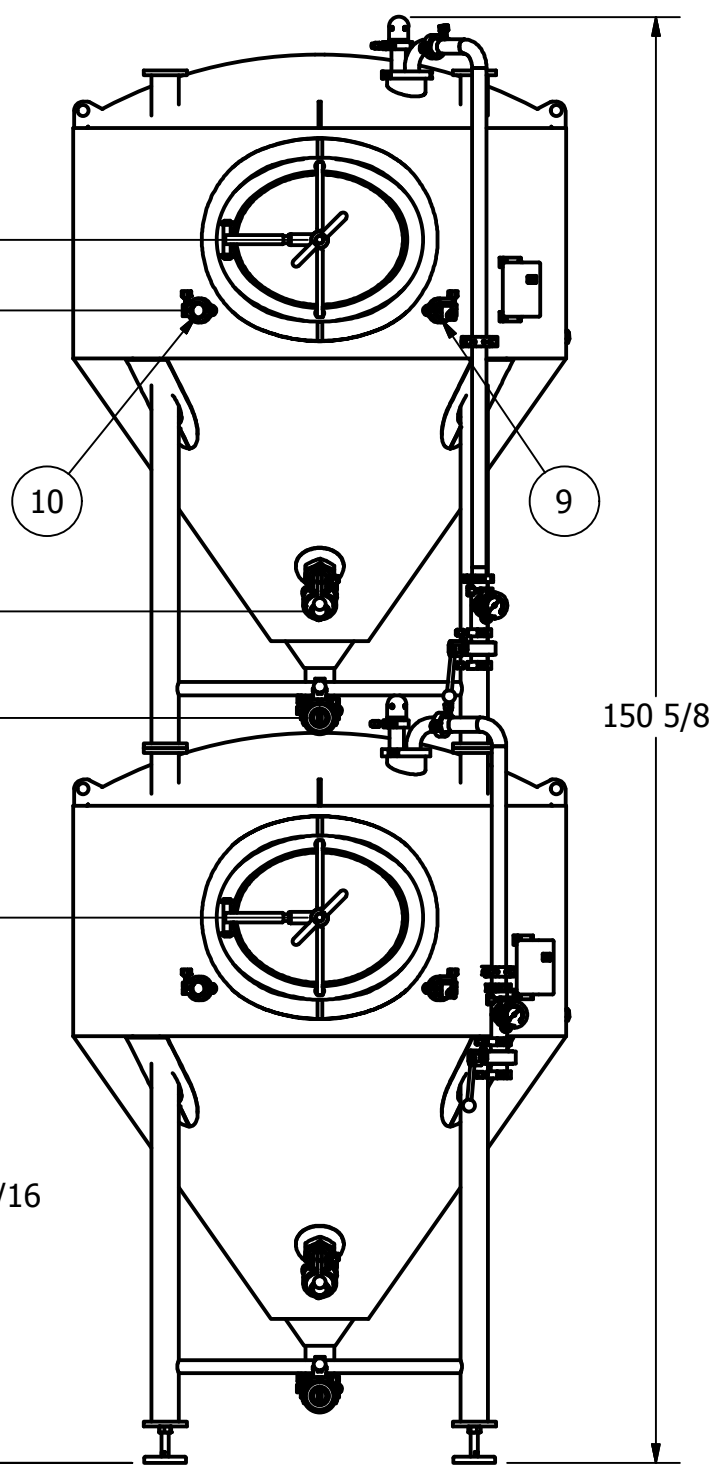
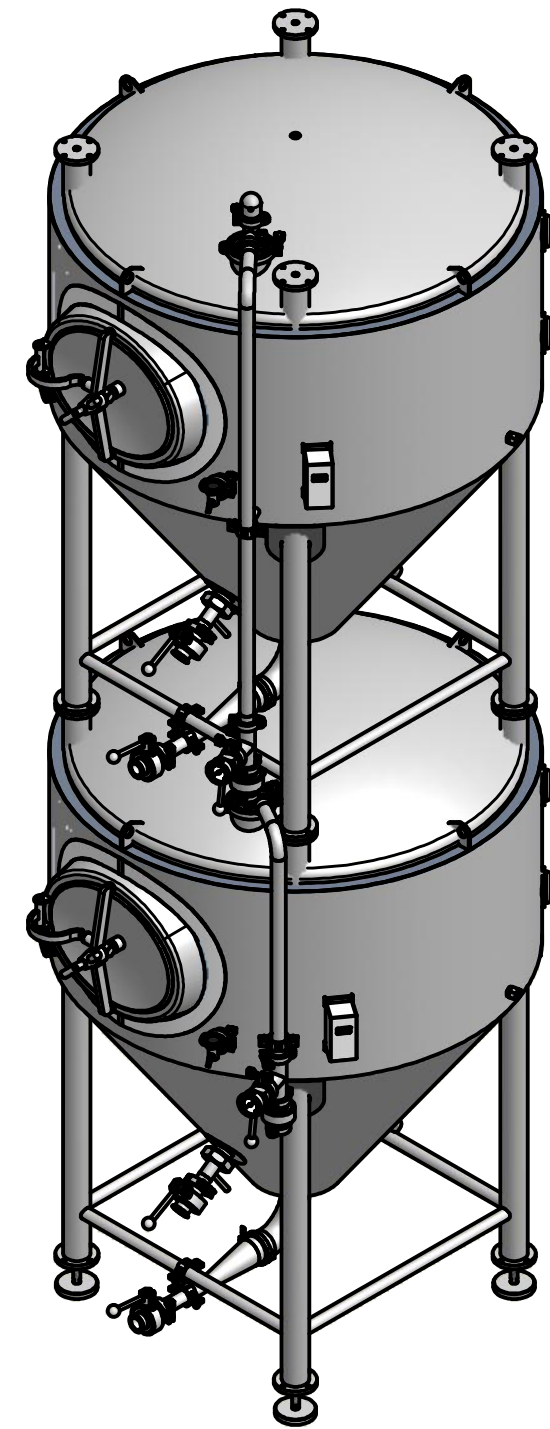
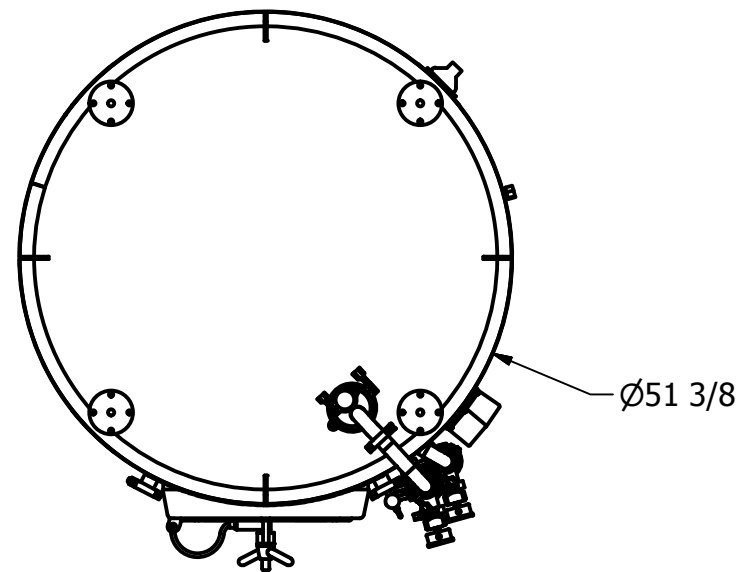


ITEM	QTY	PART NUMBER	DESCRIPTION	MATERIAL
1	1	07S-FM-00 GA Tank & Fittings Asm	Bottom Tank & Fittings Asm	
2	1	07S-FM-00-00 Stock Tank Asm	Stock Tank	
3	1	07S-FM-93-01 CIP Top Asm	CIP Assembly	304 SS
4	1	EQ-81-02 Ln Racking Arm Sm Asm	Racking Port Assembly	
5	1	EQ-A0-24 4 in Ctr Pres Relief & CIP	CIP Pressure Relief Asm	
6	1	EQ-A0-26 Temp Ctrl	Temperature Controller Asm	
7	1	EQ-A9-01 Valve & Gauge	Valve & Gauge on Tee	
8	1	EQ-A9-02 Valve	Valve, Tri - Clamp & Gasket	
9	1	EQ-A9-03 Sample	Perlick Brand Sample Valve Assembly	
10	1	EQ-A9-09 1.5 in Cap	1.5 in Cap, Gasket & Tri-Clamp (NO Drawing)	



- FEATURES PER TANK:
- 7 BBL / 217 GAL. WORKING CAPACITY
 - 12 GA. .105" 304 SS INNER WALL
 - 14 GA. .075" 304 SS OUTSIDE SHELL
 - 10 GA. .135" 304 SS FLANGE AND DISHED HEAD
 - 1.5" FIBERGLASS INSULATION
 - 2 COOLING ZONES ON CONE & ON SIDE WALL DIMPLED JACKET
 - JACKET & VESSEL OPERATING PRESSURE 15 PSI. MAX.
 - 70 DEG. CONE BOTTOM
 - ALFA LAVAL MANWAY
 - 1.5" TRI-CLAMP FITTING FOR PERLICK TYPE SAMPLE VALVE
 - 2" RJT HEX NUT FITTING FOR
 - 1.5" TRI-CLAMP RACKING PORT & VALVE
 - 1/2" X 12" THERMOWELL ON CYLINDER
 - WITH TEMPRATURE CONTROLLER (OPTIONAL)
 - STATIC SPRAY BALL & PRV ON A 4" TRI-CLAMP
 - PORT FOR REMOVING BALL & PRV
 - 1.5" BLOW OFF WITH TRI-CLAMP FITTING
 - 1.5" TRI-CLAMP CIP DOWN ARM WITH
 - 0-30 PSI PRESSURE GAUGE
 - AND BUTERFLY VALVE
 - 2" TRI-CLAMP HOPPING PORT
 - 3" DRAIN REDUCED TO 1.5" TRI-CLAMP VALVE
 - 1" MNPT GLYCOL CONNECTION
- APPROXIMATE EMPTY WEIGHT EACH = 787 LBS
 APPROXIMATE FULL WEIGHT EACH = 2,597 LBS
 APPROXIMATE FLOOR LOADING WGT. EACH = 52 PSI

REVISION HISTORY				
REV	DATE	DRAWN	CHECKED	DESCRIPTION
0	4/4/2017	jlong	SMT	Original
DO NOT SCALE DRAWING				
TOLERANCE (U.O.S.)				
FRACTIONAL: x/xx = ± 1/32"				
DECIMAL: x.xx = ± 0.015"				
x.xxx = ± 0.005"				
ANGULAR: x° = ± 1°				
THIS DRAWING IS THE PROPERTY OF SMART MACHINE TECHNOLOGIES, INC. AND IS TRANSMITTED IN CONFIDENCE. THE REPRODUCTION, USE OR DISCLOSURE, IN WHOLE OR IN PART, OF THE DESIGN AND DETAILS CONTAINED HEREIN IS PROHIBITED WITHOUT THE WRITTEN PERMISSION OF SMART MACHINE TECHNOLOGIES, INC.				
DWG NO		REV		
07S-FM-00 GA Tank Stacked Asm		0		
SCALE: NONE		SHEET 1 OF 1		

Status: Released



SMT FOOD & BEVERAGE SYSTEMS
 650 FRITH DRIVE
 RIDGEWAY, VA 24148

Stacked 7 bbl. Fermenters